



The Trillium

April 2026
Volume 54 Issue 2

Public Release
Member last names
have been removed



Events Calendar	2	Editorial	22
President's Message	11	Recipes for the Road	25
Region 2 President's Message	12	How to Install Big Red Numbers	27
New Members	14	Rally Lights...	29
Eastern Ontario Shakedown	15	Sunshine Report	30
Western Ontario Shakedown	16	Community Services Update	31
Spring Rally—Drayton	17		
Summer Rendezvous	18		
Silver on the River	21		

Eastern Ontario Breakfasts		
When	Where	Organizers
9:00 a.m. First Friday in each month until May	Thruway Restaurant 10432 ON-7 Carleton Place, ON	Hosts: Kerry & Betty M.
Registration		Deadline
Contact hosts to register		
Details		
<p>We have restarted our monthly breakfast get-togethers for both current members and alumni of our Club. These fun sessions are held the first Friday of the month at 9:00 a.m. at the Thruway Restaurant in Carleton Place, ON. The last breakfast of the season is in May.</p>		

Waterloo Brunch		
When	Where	Organizers
10:30 a.m. Tuesday Apr. 14	Dearborn Restaurant 105 Lexington Rd, Waterloo, ON	Host: Joyce W.
Registration		Deadline
Contact host to register		April 10
Details		


Eastern Shakedown		
When	Where	Organizers
May 7 - 11	Richmond Fairgrounds, Richmond, ON	Hosts: Lynn & Rob D.
Registration		Deadline
Contact hosts to register - 613-736-0560		
Details		
<ul style="list-style-type: none"> ▶ Thursday dinner at Glen Restaurant, Friday evening snack, potluck dinner Saturday, hot breakfast Sunday ▶ Camping fee \$50 + HST per night, event fee about \$55, payable directly to hosts ▶ Mix of 15 and 30 amp power, daisy-chained water, washroom (no shower), dump station ▶ Heated hall available all weekend 		
Western Shakedown		
When	Where	Organizers
May 8 -11	Country View Motel & RV Resort 4569 London Line Wyoming, ON 519-845-3394	Hosts: Jim & Ena F. Mark H. & Lynn E.
Registration		Deadline
Registration is open		April 24
Details		
<ul style="list-style-type: none"> ▶ 18 - 15 amp serviced sites and 10 - 30 amp pull-through sites available, dump station ▶ Fee \$190 for three nights, plus \$5 per night for 30 A service. Payment information is on the registration form. ▶ Early arrivals and late departures are acceptable but you must make your own arrangements with the park. 		

Spring Rally		
When	Where	Organizers
May 15 - 18	Drayton Agricultural Grounds Drayton, ON	Hosts: Ruth & Bud G. Theresa B.
Registration		Deadline
Registration is open		April 30
Details		
<ul style="list-style-type: none"> ▶ Highlights: Catered roast beef dinner (vegetarian lasagna on request), two hot cooked breakfasts, one continental breakfast. Bring your own protein BBQ night. Live band and dance, AGM, "Solar, Batteries and Boondocking" seminar by Andy Thomson, crafts, photography, and flea market. ▶ 15 amp electric for all trailers, water on daisy chain — bring your 'Y' valve ▶ See the event page for details. Click on Registration Form for costs and payment options. 		
Region 2 Rally		
When	Where	Organizers
May 14 - 17	Pocono Raceway Infield, Long Pond, PA USA	
Registration		Deadline
Registration is open		May 2
Details		
Collides with OCAC Spring Rally		

Labrador Adventure Caravan		
When	Where	Organizers
Late May to Mid June	Inland passage from Quebec to Labrador	Leaders: Pat & Murray L.
Registration		Deadline
Contact organizers to register		
Details		
The caravan is currently full. Contact the organizers to be put on a waiting list.		

Early Summer Rendezvous - Rolling Into the Hills of Mono		
When	Where	Organizers
June 19 - 21	Orangeville Fairgrounds 247090 5 Sideroad, Mono, ON	Hosts: Kim & Jeannie E. Caroline B. & Patrick S.
Registration		Deadline
Registration is open		
Details		
There's lots to do in the area: biking and hiking and, of course, restaurants. We have the hall booked which includes the washrooms. There will be entertainment on Saturday night.		

Silver on the River NER (National Event Rally)		
When	Where	Organizers
Jul. 15 - 22	Rhone Valley, France	Host: Jason G.
Registration		Deadline
Registration is open		
Details		
<p>An exclusive river cruise in France, traveling from Lyon through the Rhone Valley, including Provence, and returning north to Avignon. The entire all-suite luxury river boat is chartered just for ACI members. Enjoy an ultra all-inclusive week: premium beverages, gourmet dining, Starlink WiFi, and a choice of daily excursions. An unforgettable experience awaits!</p> <p>Check the ACI website for complete details.</p>		

Sampson State Park - Region 1 and Region 2 Joint Rally		
When	Where	Organizers
July 30 - Aug. 3	Sampson State Park 6040-6144 NY 96A Romulus, NY USA	Gary R.
Registration		Deadline
Registration is open		July 14, or until all sites have been reserved
Details		
Full information is available on the registration form .		

69th International Rally		
When	Where	Organizers
Aug. 22 - 27	North Dakota State Fairgrounds Minot, ND USA	
Registration		Deadline
Registration is open		
Details		
<p>THE LARGEST GATHERING OF AIRSTREAM OWNERS OF THE YEAR!</p> <p>Experience the Magic in Minot at the 69th Airstream Club International Rally August 22-27, 2026! The Airstream Club International Rally is the largest gathering of Airstream owners in the country each year! And this year we're headed to Minot (MY-not), North Dakota!</p>		
Fally Rally and AGM		
When	Where	Organizers
Sep. 11 - 14	Quinte's Isle Campark 237 Salmon Point Rd. Cherry Valley, ON K0K 1P0	Hosts: Helene T. & Roch G.
Registration		Deadline
Rally registration TBA Book campsite directly 613-476-6310		Register by August 27 Book your campsite by July 15
Details		
<p>Weekend starts with a Bring your own Protein BBQ and information briefing for the weekend. Saturday morning, continental breakfast, explore the county with a guided 6 km walk or 20 km guided bicycle tour around Sandbanks PP. Catered Smoked Beef dinner with vegetarian option available. The day ends with local entertainers and a bonfire. Sunday, continental breakfast, AGM, roundtable discussion "improve your connectivity on the road". Spend the afternoon exploring the county and finish the day with a Cheese and Charcuterie dinner with a BYOB.</p>		

Plow, Sand, and Apple Caravan		
When	Where	Organizers
Sep. 23 - 29	Saugeen Valley to Blue Mountains ON	Leaders: Kim & Jeannie E.
Registration		Deadline
Contact organizers to register. Check with organizers prior to booking campsites.		
Details		
<p>The caravan is currently full. Contact the organizers to be put on a waiting list.</p> <p>This short caravan starts in the Saugeen Valley and wraps up in the Blue Montains area. Check out nearby beaches, plowing match, and the Apple Pie Trail. This is an "open" caravan with no kitty fee; you can join in for all, or just some, of the stops. Guests with non-Airstream trailers are welcome. Caravaners are responsible for booking their own campsites.</p>		
Fall Rendezvous		
When	Where	Organizers
Oct. 2 - 4	Seaforth Agricultural Grounds 140 Duke St. Seaforth, ON N0O 1W0	Hosts: Kathy B. & Gordon D. Julie & John F. George A.
Registration		Deadline
TBA		September 17, 2026
Details		

True North Caravan 2027		
When	Where	Organizers
June 6 to July 20 2027	Northern Alberta to Northwest Territories, northern British Columbia, and the Yukon	Leaders: Pat & Murray L.
Registration		Deadline
Contact organizers to register		
Details		
<p>The caravan is currently full. Contact the organizers to be put on a waiting list.</p> <p>Come see the great Canadian North - Northwest Territories, the Yukon and northern provinces in between. Truly a bucket list caravan.</p>		
70th International Rally		
When	Where	Organizers
2027	Rock Springs, WY USA	
Registration		Deadline
TBA		
Details		

Shakedown – is a very informal gathering in the spring and gives us an opportunity to get together, renew friendships and make new ones, dust the cobwebs off our rigs and make sure everything is in good working order for the upcoming camping season. The weekend does not have club business meetings and will likely involve a potluck and casual get-togethers.

Rendezvous – another opportunity to get together and a little more structured than a Shakedown but again, it does not include club business meetings. Subject to the

Hosts' planning, it may include a potluck meal and other activities or events.

Rally – as well as getting together, a Rally goes one step further and includes some organized meals, entertainment and may also include training seminars and other activities. Our Club holds a yearly Spring and Fall Rally which involve a business meeting, and the Fall event is our Annual General Meeting.

Important Information For Booking Events in 2026

As a result of consultations with Executive members, the registrars, and past hosts, there will be some changes to the booking procedure for Club Events.

1. There is a booking deadline beside each event that requires a registrar (rally and rendezvous). It is approximately two weeks prior to the start of the event. Exceptions will be at the discretion of the registrars and event hosts. Every effort will be made to open registration as early as possible.
2. Payment must be made by e-transfer or cheque. Cash will not be accepted. This is to ensure better financial tracking and accountability. Due to issues moving money across the border, American attendees may make separate arrangements with the registrar.
3. Any cancellation will result in a refund minus a \$10.00 fee to cover the increasing costs of bank fees. Please cancel right away if you cannot attend a booked event.



President's Message

Lesley S.

Well it's Spring. Time for me to remind you to start booking your 2026 Club events.

- ▶ The shakedown are both organized and OPEN for registration.
- ▶ The Spring Rally in Drayton is OPEN for registration.
- ▶ The rendezvous in Orangeville in June is OPEN for registration.
- ▶ While the planning is still ongoing for the fall rally, Quinte Isle Camppark will now take a reservation for your campsite. The cut off date is July 15 to be guaranteed your spot within the Airstream Club area. All sites are full service. Please tell them you are with OCAC and you will receive a 10% discount.
- ▶ Finally the last event of the season will be the fall Rendezvous in Seaforth.

This club runs on volunteers. Without all the people who have stepped forward over the years we would not be the club we are now. We need new volunteers each year to fill positions as they become vacant.

Next year, we will need three new trustees to sit on the executive. It is a two year position. Your President next year will need a recording secretary to take the minutes at meetings. In addition, we will be looking for a 1st VP and a 2nd VP.

All the events need hosts and co-hosts.

This Club simply cannot function without volunteers giving their time and effort. Please consider volunteering in 2027.



New members from
2025 Spring Rally

Region 2 President's Message

Patti G.

Play ball!

As I write, one of the prime dates on the Galupo calendar is coming up in notifications—Opening Day for the 2026 Major League Baseball Season. I couldn't help myself with a pictorial prop. If you look closely at my picture, you'll notice first and foremost the big "W" smack in the middle, just north of the bill of my favorite baseball cap. My good friend Diane S., treasurer and membership chair of my home unit, the WDCU, will know immediately that it's one of the many hats worn by our local team, the Washington Nationals. Look more closely and you'll see the "W" is split up the middle with an indentation of the outer rim and shape of the US Capitol. Look again, and you'll see a couple of cherry blossoms – what better backdrop to use than my own garden with my very own cherry tree!

And what else does it conjure up?

It's also opening "month" for camping season! I love baseball, and I love getting the brain reoriented to what many of us love doing and what brought us all together. Hooking up our Airstreams. Our trucks are now in their own spring training mode, getting tuned up, oil changed, maybe rotating those tires and getting back to work! In perusing the Events Tab—we find many opening day, spring themed rallies on the calendar: the WDCU holds CKR in April—a fond acronym for Capital Kickoff



Rally—it can either snow or be 85 degrees around here. But that doesn't stop us! Other traditional rallies include the Lums Pond season opener, which draws multiple trailers from the Keystone and Central PA Clubs.

Ontario comes out of hibernation with three events: "shakedowns" on the eastern and western flanks, and a Spring Rally for the OCAC, all in May.

President Jim L. of the New Jersey Unit is launching their season with a bang—a BBQ and seminars at Colonial Airstream. Delmarva puts on its tool belt and conducts a maintenance and business rally for their home opener in April.

Speaking of Delmarva, you are hearing it first right here; President Jamie B. and his crew have graciously agreed to sponsor the 2027 Region 2 Rally which will be held from May 13-16, 2027 at Sun Outdoors Resort in Ocean City, MD! We've gone from the mountains to the sea. You'll be seeing Save the Date materials in your goodie bags at our region home opener at the Pocono Raceway in May of this year.

So, that's all from here. Our Team worked hard all winter putting the finishing touches of two major rallies in one year; Sampson and Pocono. The seeds planted in the Fall are starting to produce fruit. We have a solid team, both within the region and in the field. There's something for everybody—you just gotta look!

See you down the road!



New Members

Please welcome our newest OCAC members.

Kim C. & Brad S.
2021 Globetrotter 27FBT

Bruce & Gail H.
1993 Classic Limited 34
(Affiliate members)

Ewa & Doug F.
2023 Flying Cloud 27

New members are reminded to send in headshots (together with partner, if applicable) to the [directory editor, Steve A.](#)



Thanks Can-Am
for all your
support!

The Towing Specialists



Eastern Ontario Shakedown

Lynn & Rob D.

We are pleased to announce that our 2026 Eastern Ontario Shakedown will take place from Thursday May 7 through Monday May 11, 2026, at the Richmond Fair Ground. This is the weekend before the Victoria Day long weekend and the Spring Rally in Drayton.

As usual, we will have our Thursday trip to the Glen Restaurant at 5:00 p.m. for early arrivals, Friday snack at 7:00 p.m. Pot-Luck meal on Saturday at 5:00 p.m., and a Sunday breakfast, cooked and served by the hosts and volunteers at 8:30. The hall (Heated, Dry and Bug-Free as needed) will be available to us all weekend for Happy Hours, games, deep technical discussions, and general merriment.

The camping fee for the event will be \$50 + HST per night. The fee for the hall and food will be split evenly amongst the participants. Based on the expected number of participants (15) it will be in the order of \$55. Payment will be collected by the hosts at the event by either e-transfer (preferred) or cash. The fairground has a mix of 15 and 30 amp hydro, daisy-chained water, a washroom (no shower) and a dump station.

To register for the event, all you need to do is email or call Lynn & Rob with your arrival & departure date and indicate if you are interested in the Thursday trip to the Glen.

If you have any questions, please get in touch.

Lynn & Rob D.



Humble beginnings of a good Happy Hour



Western Ontario Shakedown

Jim F.

It's certainly been a long cold winter this year for we Canadians. To those who chose to head south only to have Canadian winter weather follow you, I extend my heartfelt sympathies.

We will be using 18 - 15 amp serviced sites with water (and a dump station). If anyone desires it, 10 - 30 amp pull through sites are located out back, away from everyone else, but there is an additional fee of \$5.00 per night that you'll need to arrange for separately with the park. You still need to register with our Registrar and pay the fee through the Club. The cancellation fee (of \$50.00 per site) will apply after April 24th, 2026, so don't delay if you know in advance that you can not make it.

There is a driving range on site which may be a draw for some, and a children's play ground right beside the camping area, a picnic shelter where we will hold a pot luck dinner on Saturday evening. There is a good washroom facility with showers, and a communal fire pit nearby.

As for local attractions, we'll put a list together closer to the date. As fate would have it no play has been scheduled at the Victoria Playhouse Theatre in Petrolia or the Imperial Theatre in Sarnia. Their schedules cover the week before and the week after. With a bit of luck the theatres may make an announcement closer to the Mother's Day weekend.

For those of you who enjoy fresh produce and dairy, there is a very good farm market almost directly across the road from the camp, and there is a quaint old town grocery store in downtown Wyoming (a Foodland branded store). The LCBO is located due east of the RV park kitty-corner to the Tim Hortons with your choice of two gas stations as well.

To summarize;

Register with the Registrar.

To contact the park (Country View Motel and RV Resort), to reserve a 30 amp pull-through site call; 519-845-3394

Pay the fee through the Registrar. \$190.00.

Cut off date is April 24, 2026

Looking forward to seeing you there.





Spring Rally—Drayton

Theresa B.

**Drayton Agricultural Grounds,
Drayton, ON**

May 15 to 18

Join us for a fun-filled Spring Rally weekend! This 3-day event, over the May long weekend, includes camping, homemade meals, time to explore the famous St. Jacob's Farmers Market and charming town, music and fellowship.

We're camping at the Drayton Agricultural Grounds, and the society volunteers will be cooking us a full hot breakfast on Saturday and Sunday, and Continental Breakfast on the holiday Monday. We'll have Happy Hours on Friday-Sunday afternoons, and a catered dinner on Saturday (optional sign-up) with roast beef with all the fixings or vegetarian lasagna, along with sides, desserts and coffee/tea. On Sunday evening, we're hosting a "bring your own protein" barbeque, with salad options provided (optional sign-up). And please join us for the Saturday night live band and dance.

On Sunday morning, we'll have our General Meeting and then a new seminar "Solar, Batteries and Boondocking" from Andy Thomson. Additional activities include card-making, photography, and new members seminars, and a Flea Market.

Rally Fee for the weekend is \$95 per trailer and camping fees are \$45 per night. You are able to book additional nights before/after

the event. The facility provides washrooms (no showers), 15 amp service and water via daisy chain.

The cost for the catered roast beef or vegetarian lasagna dinner is \$30 per person. Sides for the "bring your own protein" barbeque are \$10 per person.

We look forward to Airstreaming with you!

Ruth & Bud G.
Theresa B.



Summer Rendezvous - Rolling in the Mono Hills

Patrick S.

Here is the preliminary itinerary for the Summer Rendezvous at the Orangeville Fairgrounds, June 19 to 21.

Thursday June 18 (Optional):

- ▶ Earliest arrival 2:00 p.m.
- ▶ No washrooms or hall accessibility (until Friday afternoon)
- ▶ Dinner on your own
- ▶ Explore town / dinner at a restaurant of your choosing

Friday June 19:

- ▶ No breakfast provided
- ▶ Free day – Explore Town of Orangeville and surrounding area (see below)
- ▶ Hall and washrooms available after 12:00 p.m.
- ▶ 5:30 - 6:30 p.m. Pizza dinner (cash event – BYOD). Sign up sheet on arrival.
- ▶ 6:30 - 9:00 p.m. Social get-together at the fire pit – BYOD and stories. If inclement weather, event will be held in the hall.



The Trillium

Saturday June 20:

- ▶ 7:30 - 9:00 a.m. Continental breakfast. Bring your own plate, mug, utensils
- ▶ 9:00 a.m. - 2:00 p.m. Explore Town of Orangeville and surrounding area (see below)
- ▶ 2:30 - 3:30 p.m. Hall – Trailer Maintenance round table discussion
- ▶ 2:30 - 3:30 p.m. Hall – Cooking on the Road ideas, roundtable discussion
- ▶ 4:00 - 5:00 p.m. Hassle Tassel – For all, in small groups, to get to know your fellow Airstreamers!
- ▶ 5:30 - 7:00 p.m. Potluck dinner - Sign up on registration form (main dish / side dish / dessert)
- ▶ 7:00 - 9:00 p.m. Disco / Rock Trivia - Tim Cards

Sunday June 21:

- ▶ 8:00 - 9:30 a.m. Continental Breakfast . Bring your own plate, mug, utensils
- ▶ Departure 11:00 a.m. unless signed up for optional Monday.
- ▶ Free day
- ▶ Hall and washrooms will be available until 2:00 p.m.

Monday June 22 (Optional):

- ▶ No breakfast provided
- ▶ Departure no later than 11:00 a.m.
- ▶ No hall or washroom accessibility

Note that there is no dump site at the Orangeville Fairgrounds. The closest dumping station is about eight minutes away: 16 Townline, Orangeville, ON L9W 3T6

Things to do

- ▶ Explore Town of Orangeville and surrounding area. Check out the [Orangeville visitor's web site](#).
- ▶ Hiking (easy to moderate): Island Lake Conservation Area with a few smaller trails and one 8 km Loop Trail – 5 min by car or walk/bike to it – Costs: \$8.50 per adult or \$6.75 for seniors 65+
- ▶ Hiking (harder): Tom East Side Trail Loop – Bruce Trail 5 km segment – 5 min away by car - 307281 Hockley Rd, Orangeville, ON
- ▶ Biking trail in Orangeville – Connecting to Dufferin County Rail Trail 38.1 km one way
- ▶ Mono Cliffs Provincial Park – 15 mins away by car. Day pass required and may also require an online reservation





What you can expect:

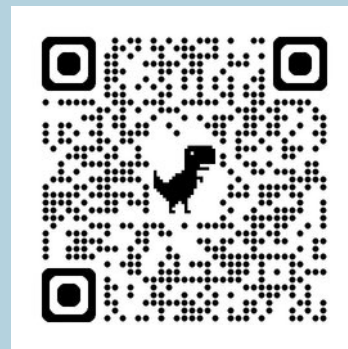
- Luxury, ultra all-inclusive cruise on Riverside Ravel by Riverside Cruises.
- An Airstream exclusive river cruise sailing from Lyon to Avignon through the Rhone Valley and Provence region of France.
- Inclusions: Gourmet meals, unlimited premium drinks, choice of shore excursions, all gratuities, and all panoramic balcony-window suites with butler service.
- Great pre-cruise group options include additional 3 nights on Ravel, tours to Normandy or Champagne region. Post cruise is an optional group trip to Paris.



July 15-22, 2026

More Info:

JASONGRENDAHL@GMAIL.COM



<https://airstreamclub.org/silver-river-2026>



Editorial—A rose by any other name...

Steve A.

Last month, I asked folks for the names of their Airstreams so that they could be published in the Directory. A number of you responded and, to my delight, some also included a reason or story behind the name.

From Julie & John F.:

John and I call our trailer “Matilda” because she takes us waltzing around the country.

From Leanne J. & Lesley S.:

Of course our trailer 6045 is also known as “Shiny Dragon”—because we are dragon it all over the place.



"Shiny Dragon"

The Trillium

From Jan B.:

My Airstream is a Flying Cloud, 30', Office Version. I named it "Avandra."

Avandra is the goddess of change, freedom, luck, trade, travel, and adventure—commonly called the Changebringer or She Who Makes the Path. Her philosophy emphasizes bold action ("Luck favours the bold"), resistance to tyranny, and embracing transformation for the better, with commandments urging followers to seize their fate, fight for liberty, and ensure positive change.



Jan B. and "Avandra"
[...and the coolest tow vehicle ever!]

From Karen & Steve A.:

From a very young age, our son was obsessed with ants, spiders, wasps, caterpillars, slugs, centipedes, and anything else that crawled, flew, slithered or stung. He hung on to that passion and eventually spun it into a career in entomology.

We named our Airstream "The Bug", in his honour.

And because it looks like a bug. Don'cha think?



"The Bug"

It's never too late to publish your Airstream name in the OCAC Directory. Send it to me at ocaceditor@gmail.com and I'll get it in the next refresh. Send me the story behind the name as well, even if you've already submitted the name, and I'll print it in another issue of The Trillium.



Recipes for the Road

Karen R.

This regular column features ways to prepare delicious food that is tailored to the Airstream camping lifestyle. Recipes could be an Instant Pot or Air Fryer specialty, a shareable snack for Happy Hour, a vintage oven meal from your family archives, a microwavable dessert, a one-pot stovetop meal, an easy skillet dish, etc.

Please email your favourite, tried-and-true camping recipe to Karen R. for inclusion in an upcoming issue.

This month's recipe comes courtesy of Laura & Gerard D.

Desperation Fudge

-or-

Desperate Times Call for Delicious Measures

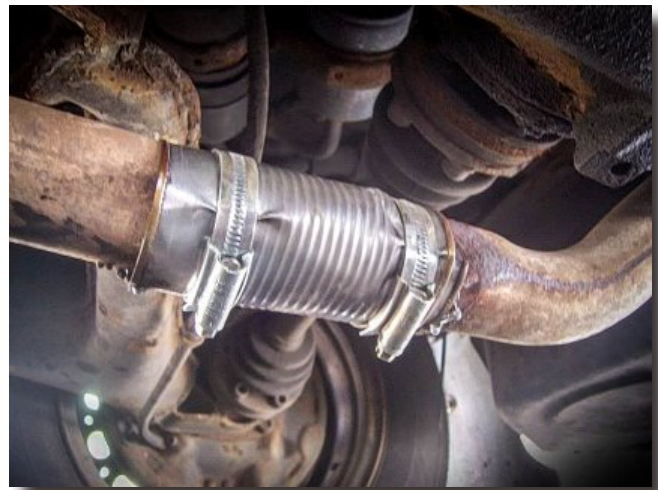
Why the title "Desperation Fudge"?

This is how we got the part we needed to temporarily fix a pipe connection between the muffler and the catalytic converter on our truck.

When we visited Newfoundland with the Viking Caravan, our truck developed an exhaust system problem. The other problem was that we were many miles away from a muffler shop.

Upon inspection, my husband determined that a temporary fix could be done with wood stove cement, gear clamps and a soup can with the ends removed with a can opener, and split down the side. The can of sweetened condensed milk we had with us was the perfect size.

You get the picture. Hubby creates fudge to use up the sweetened condensed milk to get the can needed to fix the exhaust system on the truck temporarily until we could get to a muffler shop and get it fixed.



Desperation Fudge

- ▶ 1 can Sweetened condensed milk (300ml)
- ▶ 1 package of chocolate chips (270g)
- ▶ 1 tsp Vanilla extract (optional)

Line an 8 x 8 inch baking pan with wax paper. In a saucepan, combine the sweetened condensed milk, the chocolate chips, and vanilla. Over low heat, stir constantly until chips are melted. Pour into lined baking pan and store in the fridge to cool.



By: Katie S.



How to Install Big Red Numbers



1



For best results pick a sunny, dry day - warm, not hot



Wash!



Rinse!

2

Dry!



3

Go and get your numbers!



4

Secure with masking tape, slowly peel back the first layer while smoothing with a credit card



5

Peel and reveal



6

Cheers! Installation complete, cue the celebratory drink.



7

Take a photo!



Created by Katie Sheldrick

Helpful Tips



Trim the paper around the numbers so it fits between the rear camera and the Airstream logo



Resist the urge to rush, peel slowly for the best reveal!



Grab a helper! It makes the job easier and a lot more fun



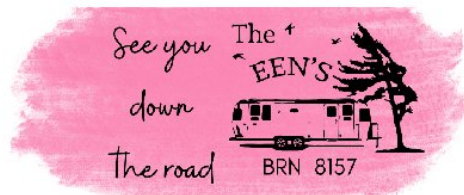
Use the Airstream letters to help centre the BRNs. Use a credit card to smooth the sticker (BRN)



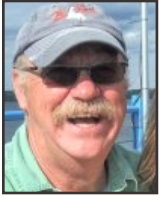
Celebrate! You're ready for the road and Airstream Club events

Fun Facts

- BRNs can be installed on aluminum shells, plexiglass, or glass. Some members even use custom placards at ACI events.
- BRNs are required at all ACI events (rallies, rendezvous, and more).
- In an emergency, BRNs help identify your trailer during ACI events.
- Spotting BRNs on the road is part of the fun! You can quickly look them up in the ACI app to see who it is.
- Nope, they're not rental numbers! That's a common question from fellow campers in provincial parks.
- Displaying your BRNs sparks conversations and helps introduce non-members to the Airstream Club.



Created by Katie Sheldrick



Rally Lights / Emergency Flasher Box

John R.

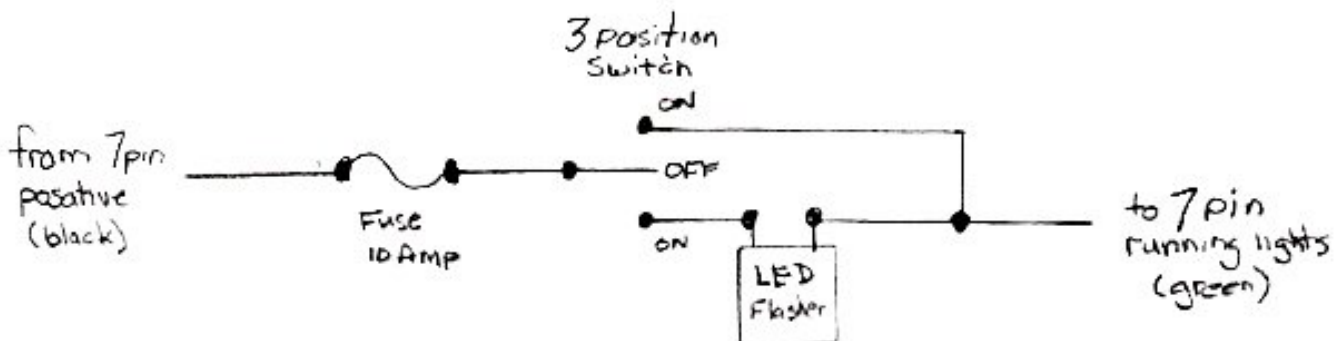
We quite often put a fuse in the 7-way connector on our Airstreams to turn on the running lights at night when disconnected from our tow vehicle at Airstream gatherings.

On the [Thirteen Adventures YouTube channel](#) with Brad Driver, he had made up a box that, when connected to the Airstream 7-way connector, would turn on the rally lights. The box also had the ability to make the running lights flash! This flashing would be a good emergency setup if you had to unhook the Airstream at the side of the road, say while you get a replacement tire.

I have made up one of these boxes and it will be a raffle item at the Ontario Canada Airstream Club Spring Rally in Drayton May 15th to 18th.

If you would like to make new, here is what you need.

- ▶ Heavy duty rocker 3 position toggle switch, ON/OFF/ON
- ▶ 12 V Dc automatic electronic LED flasher relay
- ▶ Inline 10 Amp fuse
- ▶ 7-pin blade connector female (tow vehicle side)
- ▶ 5" X 5" X 4" electrical project case.
- ▶ Some 14-gauge wire and connectors





Sunshine Report

Lynn B.

[Lynn reports "nothing to report this month". So enjoy this picture of Airstreams in the sunshine!]



Community Services Update

Project Linus - Julie R.

[Editor's note - No Linus update this month, but from a recent Trillium...]

Fall and winter [and spring] are blanket knitting/crocheting season! I encourage you to keep those needles active in advance of the Spring Rally where we will accept your generous donations.

If you would like more information about Project Linus, please see the February 2025 Trillium or visit projectlinuscanada.org

Tabs 4 Kids Wheels - Rick & Barb A.

Barb and Rick A. have made the very tough decision to hang up the keys. However, we are informing the OCAC members of our plans to continue supporting the '[Tabs 4 Kids Wheels](#)' community service project that we began many years ago and which the club has been so very generous in supporting.

First, we must thank all those who have collected tabs between our rallies and rendezvous and bring them to the events. Over the years, we have contributed to many wheel chairs for many kids in order to give them a much happier life and lifestyle.

Lesley has kindly given us permission to continue this community project with the club. We will try to have a member who will be responsible for collecting at each event. We will either visit the event to collect the tabs or have a member bring them home and we will collect them after. Melanie and Murray Cornwell have kindly agreed to help with this part of the community service project. When they are not able to attend, we will try to find another volunteer.

Thanks to all those who have supported us in the past and we look forward to being able to see you at some of your events in the future.